

Allegato B2 - Brochure NVR recorder e Schema Fisico

Media Recorder Hydra^{IP} MR3080-8

Video solutions

Description

8-channel digital hybrid recorder of the Hydra^{IP} series for analogue video and digital network streams. Especially designed for the use in buses, trains and other vehicles – with 4 network interfaces prepared for extension with automatic people counting system (APS) functionality.

Article number

MR3080-8: VPV200085

Main characteristics

- Recording of up to 8 x analogue CVBS and up to 16 IP/Network cameras*, additional data, Audio, GPS (optional)
- Complete integration into vehicle systems (IBIS, IBIS+)
- Quick & easy installation
- Patented housing with integrated DIN rail & screw channels, maintenance free, fan less
- Innovative multi-level security concept with electronic key for hard disk release

Video input/output	8 x video in (CVBS, BNC), 2 x video out (CVBS, BNC)
Recording	Analogue video: PAL/NTSC, up to 200 fps (CIF), supported resolutions: CIF (352 x 288), 2CIF/half picture (720 x 288), PAL Full D1 (720 x 576); 2-channel audio analogue, additional data as IBIS & IBIS+, profiles for ring- and alarm recordings; 24/7 permanent, recording time: up to 30 days (depend on cameras quantities and quality settings), removable storage medium, Automated deleting of data can be configured, compression: MPEG-4 AVC (H.264+), storage on HDD and SSD with capacity up to 500 GB, Digital IP recording: QVGA (320x240), VGA (640 x 480), XGA (1024 x 768), H.264 (MPEG-4 Part 10/AVC)
System	Integrated UNIX OS, multi processor system, automatic self controlling, S.M.A.R.T. functionality, WatchDog, internal real time clock, short boot up & shutdown time, other supported technologies/protocols HTTP, NTP, Syslog, IBIS, IBIS+, buffering of power supply using SuperCaps, operating modes: recording, standby, sleep
Security	HD-lock (physically & software based), electronic key for individual access rights, configurable lead & follow-up times for the system and alarm recording, compliant to European data protection standards
Video output	2 separate video outputs, each PAL (720 x 576), single-and multi-views of all camera signals on the video out, fully configurable, automatic sequential picture switching, controllable by sensors on the GPI, OSD information (cameras, error)
Interfaces	Video in, video out (CVBS, BNC), 2 x Audio (5 KOhm, max. 2 Vpp), IBIS, 1 x USB 2.0, Mini-DIN for electronic key, LED Block 4 x multi colour LED, isolated general purposes inputs/outputs: 6 x GPI (differential, low: 0-3 V, high: 6-34 V), 4 x GPO (Relay, 2 x including power supply 12 VDC, max. 60 V DC, 125 V AC, 500 mA), Weidmüller contacts: 1 x 16 pins (power, ignition, USB 1.0), ignition: differential (low: 0-3 V, high: 6-34 V); 2 x 18 pins (power supply external devices, GPIO, audio), 4 x Ethernet 100 M/bit (M12)
Integration	compliant to VDV300 IBIS, IBIS+, active & configurable answers for communication with vehicle systems, recording of all IBIS data, compatibility to DEROVIS/DResearch fleet management system
Add-ons	Integrated or external communication unit for data transmission unit using WLAN (802.11) or mobile communications networks as GPRS/UMTS/HSUPA, GPS-data recording and transmission**, integrated 4 Port PoE Switch

*Actual number of cameras depends on individual configuration

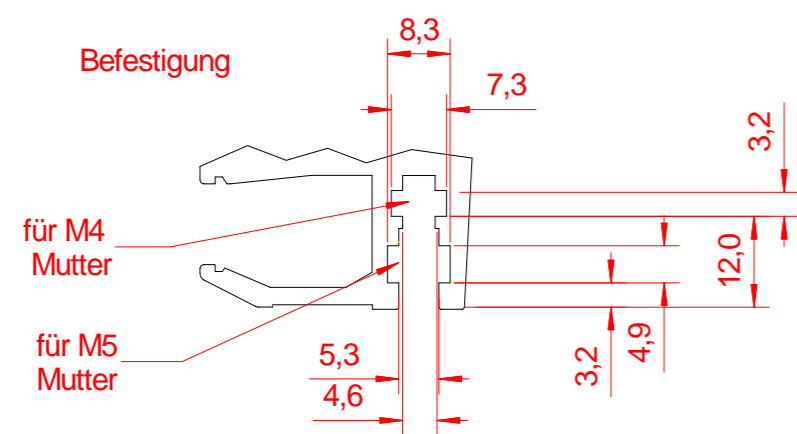
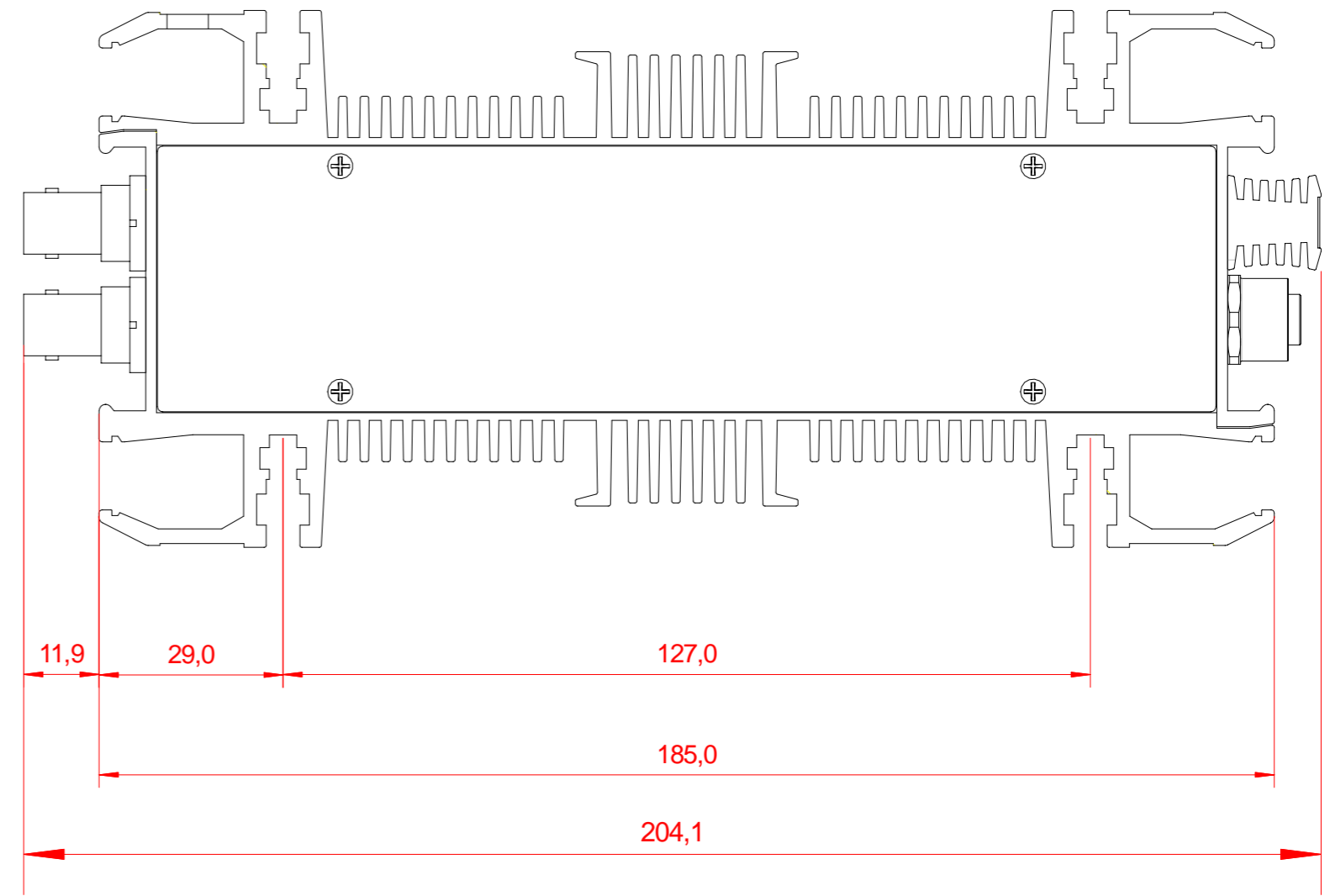
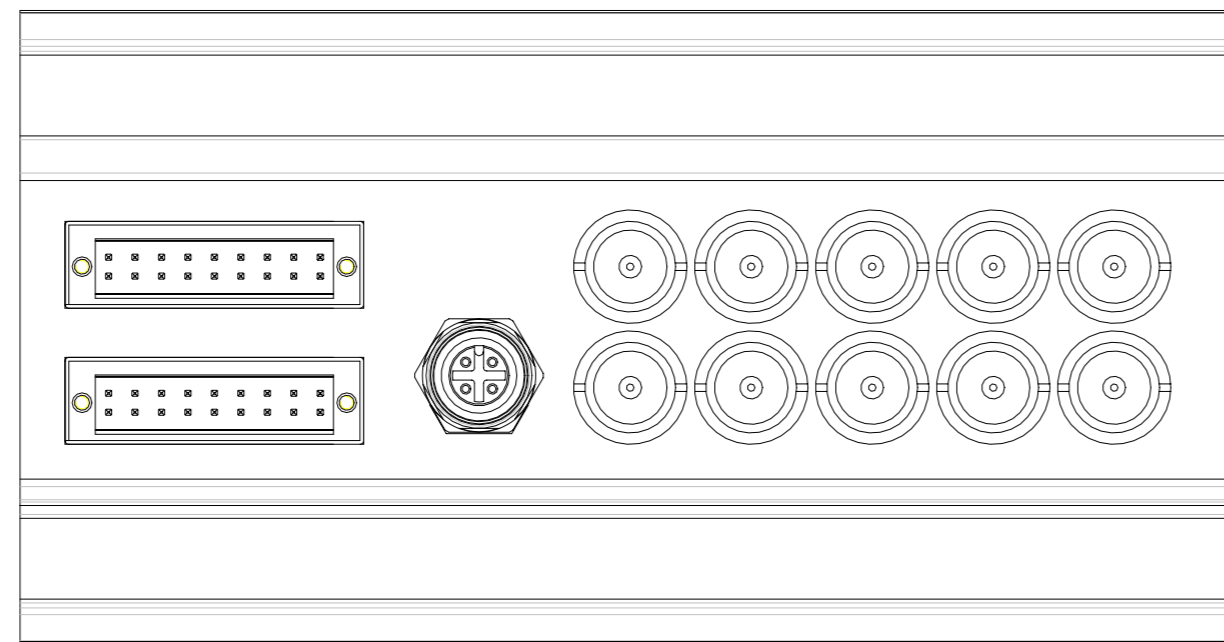
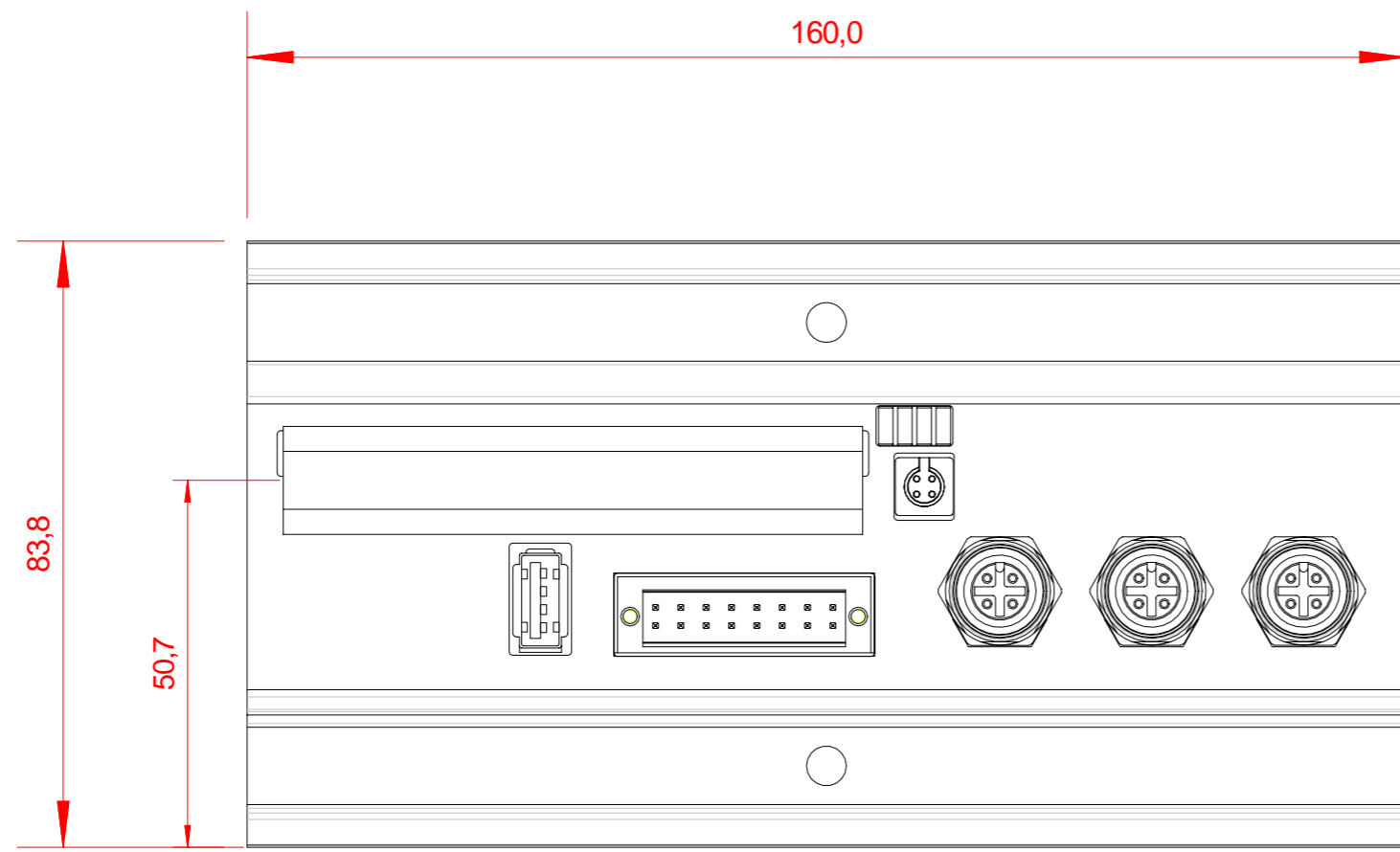
**Requires the UMTS communications module

Information refers to the current state and may be subject to unannounced changes.

Media Recorder Hydra^{IP} MR3080-8

Video solutions

Power supply	System power: 24 V DC (9 ... 32), power supply of external devices: 12 V DC / max. 2.0 A,
Power consumption	Minimum consumption for protecting battery: sleep mode: < 1 W, standby-mode: < 10 W, recording mode max. 12 W (excluding external power supply) and max. 40 W including external power supply
Temperature	Operating temperature: -40 °C ... +85 °C (TX, EN50155) , Record using HDD 0 °C ... 60°C humidity: 10 ... 90 % (not condensing), active temperature management
Installation, Service & Maintenance	Easy installation and assembly, configuration, diagnosis and firmware update via USB stick, maintenance free housing
Housing, dimensions & weight	Robust industrial design, stainless aluminium housing, fanless, IP 52, integrated screw channels and DIN rail, external dimensions (W x H x D): 160 x 85 x 207 mm, weight: ca. 1900 g
Scope of delivery and available Accessories	Recorder, product CD including documentation, firmware and video data analysis software ImageFinderNX; accessories: mounting panel, adapter cable GPIO and CONTROL, analysis station USB-TTU, USB-TTU adapter for HydraIP storage disc, wiring block, removable data disks HDD (up to 500 GB) & SSD (up to 128 GB), electronic key, Plug sets and accessories for crimping contacts
Certifications	e1, EN 50155, CE, RoHS, VDE, DIN 5510, EN 55022, EN 61000, EN 55024, EN 60950



Technische Änderungen vorbehalten

(Verwendungsbereich) Projekt: 09238 HydraIP		(Zul. Abw.) ISO2768-m	(Oberfl.)	Maßstab 1:1	(Gewicht)
				(Werkstoff, Halbzeug) (Rohteil-Nr) (Modell- oder Gesenk-Nr)	
			Datum	Name	
		Bearb.	07.04.10	Ja	
		Gepr.	07.04.10	Ja	
		Norm			
				HydraIP MR3080-8	
				DResearch	Blatt
				Digital Media Systems GmbH	Blätter
				923-3080-00-Z0001	
Zust.	Änderung	Datum	Name	Ursprung	Ersatz für: Ersatz durch: